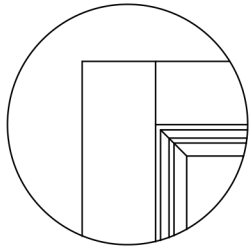
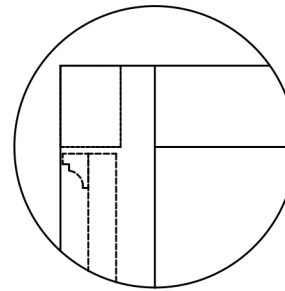


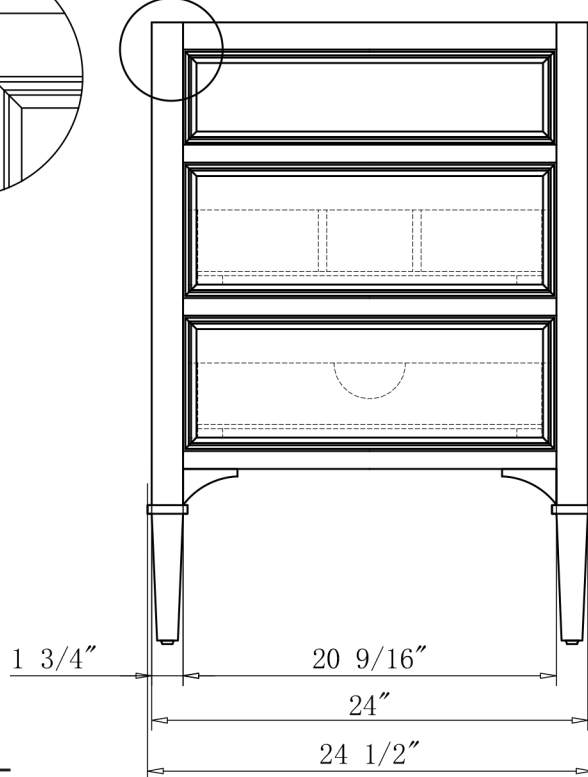
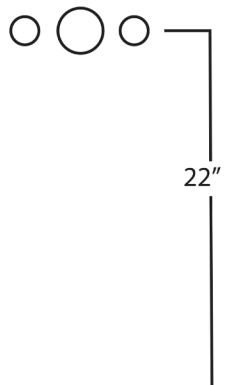
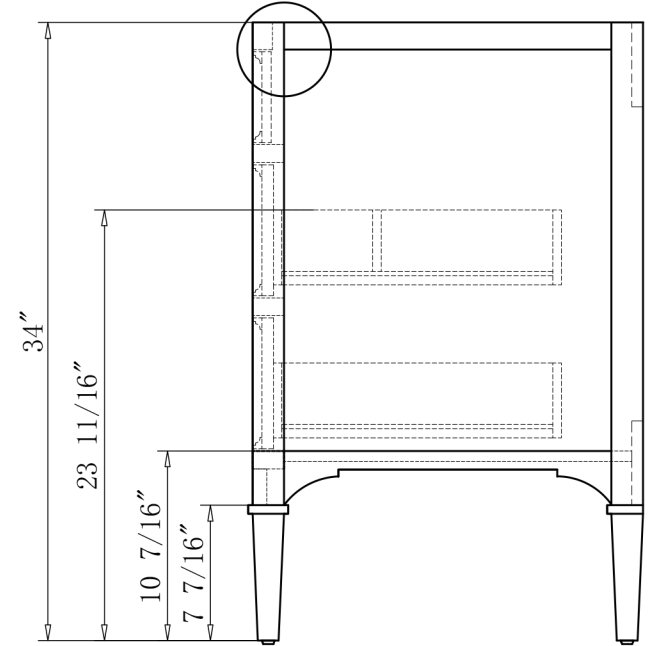
TRIM DETAIL



TRIM DETAIL



AT SINK CENTER SECTION



Finished Floor

FGS3-24

OWEN